

**TDP CQ-27
IR-HEATER LAMP
(TDP Lamp)**

INSTRUCTION MANUAL



TDP CQ-27 IR-HEATER LAMP - INSTRUCTIONS

Function -

The TDP lamp is unlike any other heat lamp. While most lamps use a common infrared bulb, the TDP lamp features a plate coated with a proprietary mineral formulation consisting of 33 elements. When activated by a built-in electric heating element, this mineral plate emits a special band of electro-magnetic waves ranging from 2 to 25 microns in wavelength and 28 to 35 mw/sq. cm in intensity.

Please read the following instructions before using this device.

Indications for use -

The TDP CQ-27 IR-Heater Lamp may be used for the temporary relief of minor muscle and joint pain and stiffness, the temporary relief of minor joint pain associated with arthritis, the temporary increase in local circulation where applied, and the relaxation of muscles. In addition, the TDP CQ-27 IR-Heater Lamp may also help muscle spasms, minor sprains and strains, and minor muscular back pain.

Application -

To use, simply direct the heat from the heating lamp on the surface of the skin, nearest or over the afflicted part of the body.

Getting Started -

Assemble the TDP Lamp according to Figure 1 (see attached diagram). Insert A to B and tighten C. Insert D to E and tighten F. Insert 5 to 6, tighten G (screw) and H (screw cap).

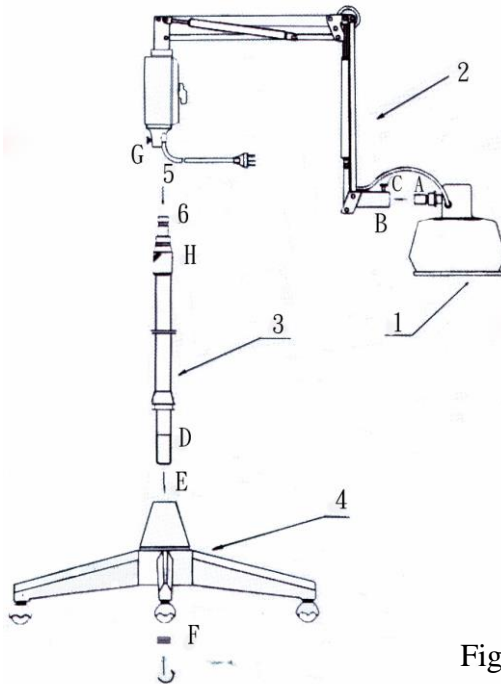


Figure 1

Turning Unit On -

Insert the 3 prong grounded plug into a grounded 110 volt AC output (wall) socket and turn unit on by depressing the power switch. Turn the timer clockwise or switch the timer to position "On" (with on/off switch) counter clockwise.

The indicator pilot light will indicate the unit is warming up. After pre-heating for 3 to 5 minutes, the unit will be ready for use. Do not leave unit on when unattended.

Note: if the indicator light is not on and the lamp fails to heat, check the fuse on the back of the controller. Replace if necessary.

Important -

Do not turn the timer counter clockwise to turn unit off - this will damage the timer. Unplug the power cord when not in use.

Position for Treatment -

As a general guideline, adjust the distance between the treatment surface and the heating head from 8" to 12" (20 to 30 cm) to produce a warm and comfortable feeling. Actual placement must be dictated by patient comfort. Note that a distance of 12" will provide therapeutic heating of 40°C. For reference, 40°C to 45°C (104°F to 113°F) is the temperature range for therapeutic heating. The skin may become pink during treatment, this is normal. Do not position the heating head closer than 8" to the body, otherwise a possible burn may result.

Treatment Time -

The treatment time for a given session may vary depending on the condition being treated. As a general guideline, treatment times of 20 to 40 minutes may be used. Limit the treatment time to 50-60 minutes maximum for adults and 30 minutes for children. It is also recommended to limit treatment sessions to no more than 2 per day. Depending on the condition being treated, shorter times and frequencies of treatment may also be used.

Caution -

Application should be pleasant and comfortable. Be aware of the comfort and how the patient is feeling. If pain or discomfort is felt, move the heating head further away or discontinue treatment. If the unit is too close to the body during treatment, the temperature may become too high and the skin may overheat and cause a skin burn.

Protection of Skin -

To minimize the impact of dry skin after treatment, apply moisturizing lotion to the treatment area after each session.

Safety Shield -

This unit features an open metal mesh type safety shield to protect and prevent accidental contact with the heating plate. This shield should not be touched or removed when the unit is in operation. Do not touch the heating plate during or after operation - the lamp will remain hot for a period of time after it is turned off.

Direction of Heat Lamp Head -

To prevent excess heat build-up in the heating head and premature failure, do not face the heating head downward more than 45 degrees.

Replacing Heating Plate -

The lamp's heating plate must be changed if it becomes cracked or chipped, or begins to change color. Under normal use, the mineral plate will last approximately two years (i.e., 1,000 hours usage) before requiring replacement. To replace this black heating plate, turn off the lamp and make sure the heating head is not hot. Use a small Phillips head screwdriver to carefully remove the protective screen and the black heating plate. Replace with new heating plate and reinstall protective screen.

Contraindications -

Use carefully and only as directed, or may cause burns. Do not use over insensitive skin areas or in the presence of poor circulation. Do not use on swollen or inflamed areas or skin laceration. Do not use if patient has a high fever. Do not place directly over eyes. Do not use for abdominal pain. Do not use for undetermined calf pain. Check with physician for use of infrared heat on varicose veins or on anesthetic areas of the skin. Do not use when body is wet or in bathtub. Unattended use of infrared heat by children or incapacitated persons may be dangerous. If pregnant, ill, or have suffered injury, consult physician before use. Use only under supervision.

Warning -

To prevent and avoid the risk of burns, fire, electric shock, or Injury:

- * Use this device only for its intended purpose as described in this manual.
- * Do not leave unit on when unattended. Unplug from outlet when not in use.
- * Keep children away from and do not allow children to operate the lamp.
- * Do not operate where aerosol (spray) products are being used or where oxygen is being administered.
- * To disconnect from the power outlet, turn all controls to the "off" position and then remove the power cord from the power source outlet.
- * Never operate this device with the protected heating element opening blocked. Keep this opening free of lint, hair, etc. Never operate on or near a soft surface such as a pillow, blanket, or bed where this air opening may be blocked.

Care and Storage -

- * Never drop or insert any object into the protected heating element opening. Do not touch the heating element with any object. Do not touch the internal workings of the lamp. Do not attempt to make any repairs yourself.
- * Do not operate this device if the power cord or plug is damaged. If it is not working properly, or has been damaged, call your nearest authorized service center.
- * Do not pull or carry this device by the power cord. Keep the power cord away from hot or wet surfaces.
- * Store lamp in dry environment - avoid excessive moisture.
- * Avoid violent movement and impacts.
- * Do not clean the TDP head with any liquid or solvent.
- * The lamp's heating plate must be changed if it becomes cracked or chipped. Under normal use, the mineral plate will last approximately two years (i.e., 1,000 hours usage) before requiring replacement.

Limited Warranty -

- * One (1) year parts.
- * The customer is responsible for any transportation of shipping relative to the return of product during the warranty period.
- * Copy of invoice must be provided as proof of purchase.
- * Products disassembled, repaired, or altered in any manner will void warranty.
- * Should a product require repair after the limited warranty period, please contact us for information regarding repair charges.

TDP CQ-27 IR-HEATER LAMP - SPECIFICATIONS

Infrared emission	thermally excited "black body" emission plate that converts into far infrared
Lamp size (TDP diameter)	12.5 cm
Spectrum range	2 to 25 micrometers
Power usage	110 volt AC, 60 Hz cycle
Safety fuse	2 spares included, for 110 volt
Power consumption	215 watts
Operation control	continuous ON/OFF or timer control, timer can be set up to 60 minutes
Emission plate life *	1,000 hours average usage
Style	floor model with base and casters
Extendible range	24" vertical, 24" horizontal adjustment with 2 section, spring loaded arms
Emission head direction	any direction within a half sphere may be tilted up to 90 degrees. Device head may be rotated 360 degrees
Telescoping main post	allows 12" vertical adjustment
Distances to floor	12" min to 60" max
Treatment distance	8" to 12" (20 cm to 30 cm)
Weight	25 lbs (11 kgs)

* Replacement heating plates and parts are available.

Made in China